

Jacuzzi J-335

Specifications

Seating Capacity.....	5-6 Adults
Dimensions	84" x 84" x 36" (213.5 cm x 213.5 cm x 91.44 cm); For Complete Dimensions, See page 84
Perimeter	336 in. (853.4 cm)
Dry Weight.....	764 lbs (347 kg)
Filled Weight (Spa Volume)	4,684 lbs (2,125 kg)
Filled Weight (Average Fill).....	3,683 lbs (1,671 kg)
Water Capacity (Spa Volume)	450 US gallons (1,703 Liters)
Water Capacity (Average Fill)	350 US gallons (1,325 Liters)
Electronic Controls	Solid state electronic controls with LCD readout, programmable temperature, filtration, and heat cycles
Pump 1.....	North America (60 Hz): 1-Speed, 4.8 HP brake, 2.5 HP continuous, 56 Frame Export (50 Hz):.....1-Speed, 2.0 HP continuous
Pump 2.....	North America (60 Hz): 1-Speed, 4.8 HP brake, 2.5 HP continuous, 56 Frame Export (50 Hz):.....1-Speed, 2.0 HP continuous
Circulation Pump.....	Yes, 8-hour
Heater	North America (60 Hz): 5.5 kW High Flow Export (50 Hz).....2.7 kW High Flow
Total PowerPro® Jets.....	42
Seat A Jets	2 PowerPro® FX Large Rotational
Seat B Jets	4 PowerPro® FX, 1 PowerPro® FX Large Rotational, 12 PowerPro® BX
Seat C Jets	1 PowerPro® FX Large Rotational
Seat D Jets	10 PowerPro® FX, 2 PowerPro® FX Rotational
Seat D HYDROSOOTHE™ Jets	2 PowerPro® FX Directional with independent flow rate valve
Seat E Jets	2 PowerPro® FX, 2 PowerPro® FX Rotational, 2 PowerPro® FX Large
Footwell (F)	2 PowerPro® MX
Massage Selectors	2
Air Controls.....	3, On/Off rocker style
Water Management System	Two 60 ft ² filter cartridges; filter 1 on 8-hour circulation pump; filter 2 on jets pump 1; Factory installed CLEARARRAY Active Oxygen™ Clean Water System Export (50 Hz):.....Factory installed CLEARARRAY Active Oxygen™ Clean Water System
LED Lighting	One underwater light with 4 color modes, one colored waterfall light, cup holders, 2 HYDROSOOTHE pillow lights, and OPTIONAL exterior light
ProFinish™ Cabinet Colors	Modern Hardwood, Brushed Gray, and Smoked Ebony
Acrylic Colors	Platinum, Silver Pearl, Monaco, Midnight, Porcelain
Headrests	4
Waterfall	One independent flow rate (on or off) adjustment; powered by the circulation pump
Electrical Requirements:	North America (60 Hz): 240 VAC@40A, 50A, or 60A Export (50 Hz): 230-240 VAC@1x32A, 1x20A/1x16A, 3x16A, or suitably rated circuit breaker to comply with local electrical codes. Certain countries may require dual power inputs; two GFCI RCD breakers are required for this configuration.
Warranty*.....	North America (60 Hz): 10 Years Shell, 7 Years Shell Surface, 5 Years Plumbing Component Leaks, 5 Years Equipment and Controls, 5 Years Cabinet, 2 Years Jets, 2 Years Lights, 1 Year Stereo; Export (50 Hz): 10 Years Shell, 7 Years Shell Surface, 5 Years Plumbing Component Leaks, 5 Years Equipment and Controls, 5 Years Cabinet, 2 Years Jets, 2 Years Lights, 2 Years Stereo
Special Features (Optional).....	SmartTub™ Module, Exterior Lights
Audio System (Optional).....	BLUEWAVE® Spa Stereo System (Bluetooth/Aux compatible) with four speakers and subwoofer

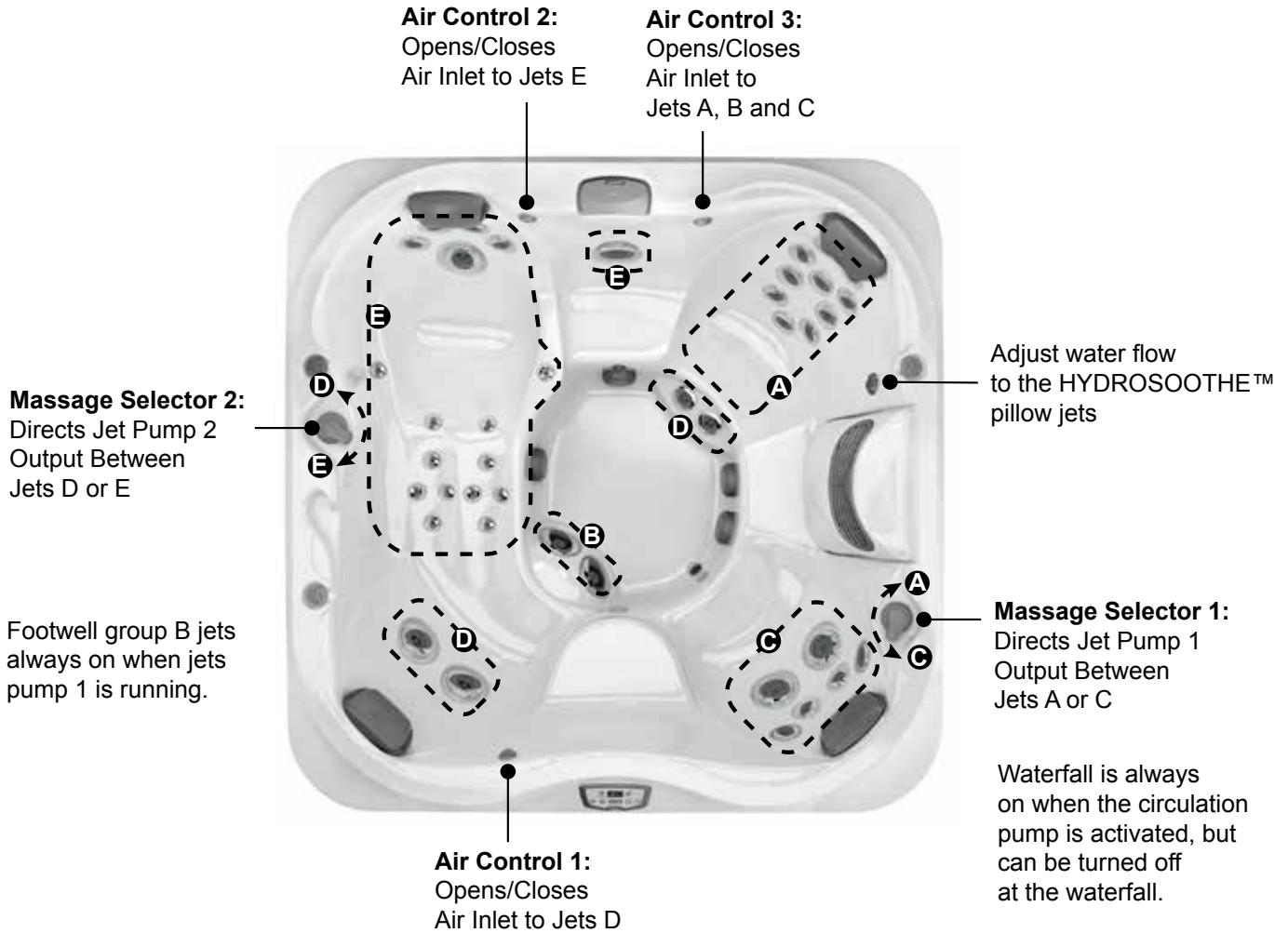


*(See Warranty Document for Specific Details)

Dimensions/Specifications are Subject to Change Without Notice

Jacuzzi J-335

Operation/Seat Depths



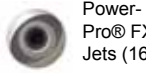
42 Total Jets



Power-Pro® BX
Jets (12)



HYDROSOOTHE
Jets (2)



Power-Pro® FX
Jets (16)



Power-Pro® FX
Rotational
Jets (4)



Power-Pro® FX
Large
Jets (2)



Power-Pro® FX
Large
Rotational
Jets (4)



Power-Pro® MX
Jets (2)

Spa Operation Subject to Change without Notice

Seat Depths

A = 25.75" (65.4 cm)

B = 27.50" (69.9 cm)

C = 23.50" (59.7 cm)

D = 28.25" (71.8 cm)

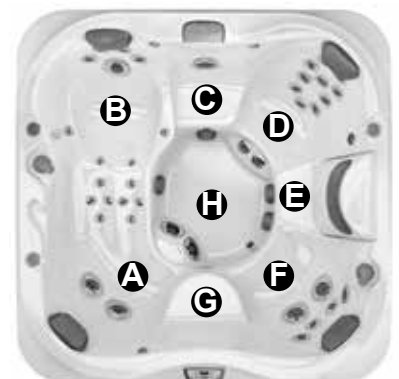
E = 22.75" (57.8 cm)

F = 25.50" (64.8 cm)

G = 16.75" (42.5 cm)

H = 33.50" (85.1 cm)

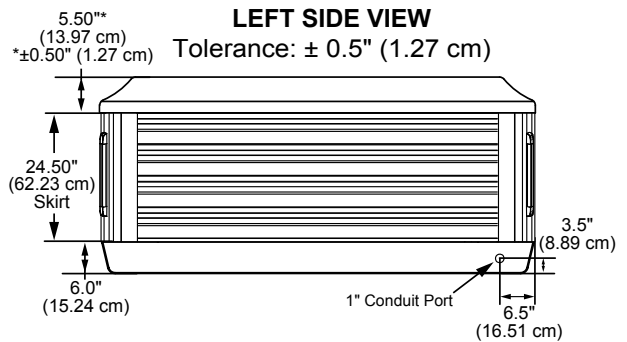
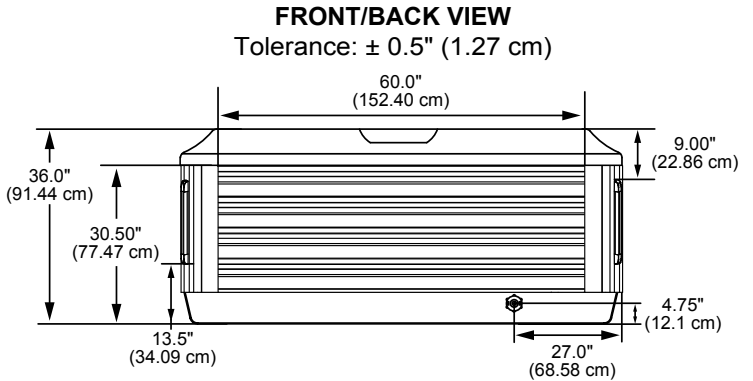
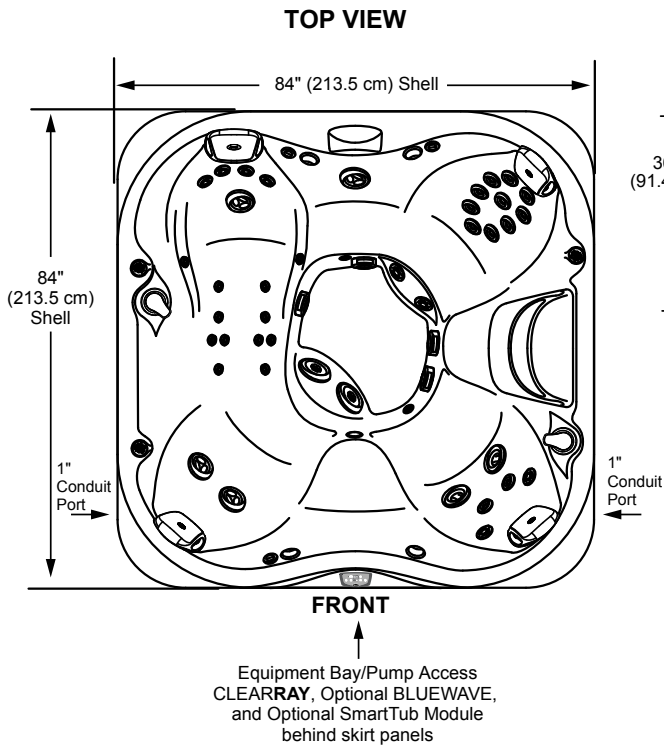
Listed dimensions
represent distance from
top of acrylic to lowest
point in seat. Tolerance \pm
0.5" (1.27 cm).



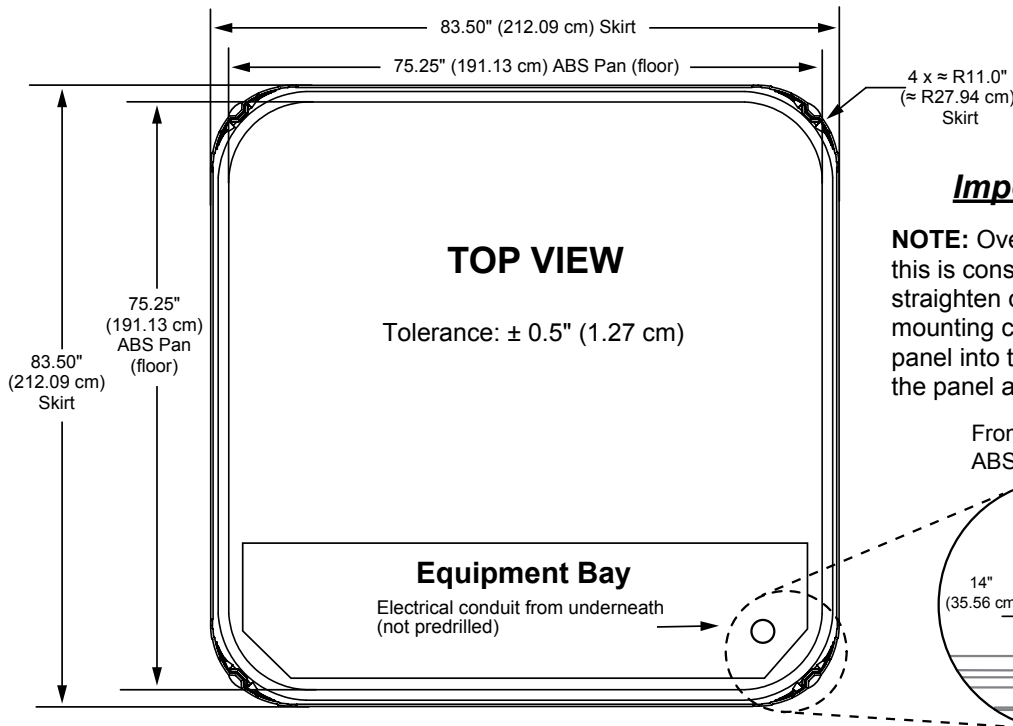
Dimensions/Specifications are Subject to Change Without Notice

Jacuzzi J-335

Dimensions



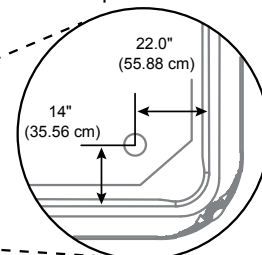
IMPORTANT! Always measure each hot tub for exact dimensions **BEFORE** designing its foundational support and/or decking.



Important Panel Details

NOTE: Over time the panel(s) may bow, this is considered normal. The panels will straighten out when reinstalled into the mounting channel. Place one end of the panel into the channel first then flatten the panel and insert the other end.

From the edge of the ABS pan



Dimensions/specifications subject to change without notice. Tolerance $\pm 0.5"$ (1.27 cm)