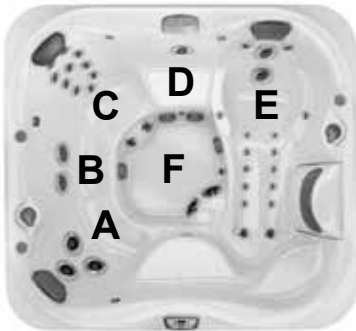


Jacuzzi J-355

Specifications

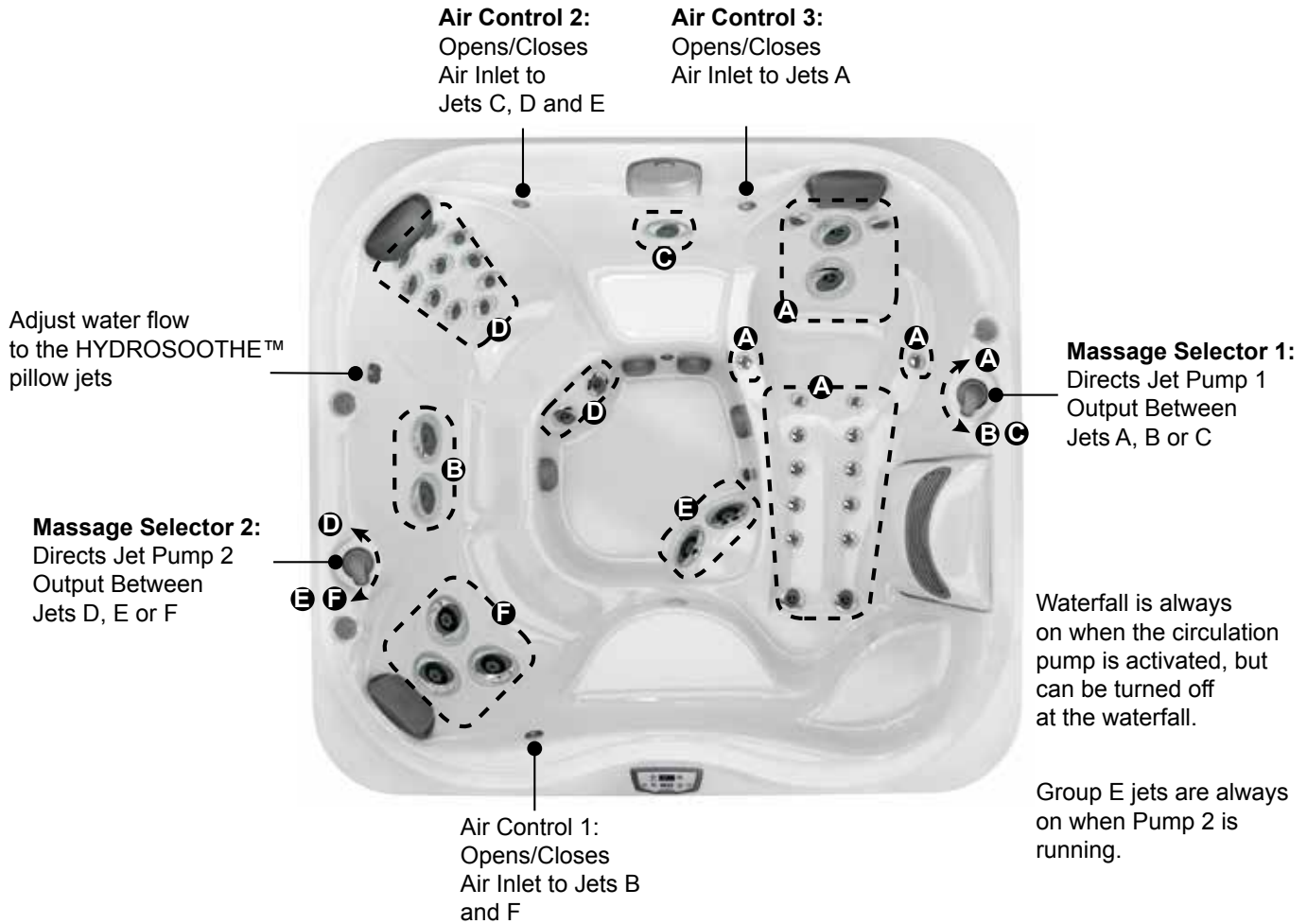
Seating Capacity	5-6 Adults	
Dimensions	84" x 91" x 37.50" (213.5 cm x 231 cm x 95.25 cm);	
	For Complete Dimensions, See page 84	
Perimeter	350 in. (889 cm)	
Dry Weight	813 lbs (369 kg)	
Filled Weight (Spa Volume)	4,900 lbs (1,855 kg)	
Filled Weight (Average Fill)	3,815 lbs (1,731 kg)	
Water Capacity (Spa Volume)	490 US gallons (1,855 Liters)	
Water Capacity (Average Fill)	360 US gallons (1,363 Liters)	
Electronic Controls	Solid state electronic controls with LCD readout, programmable temperature, filtration, and heat cycles	
Pump 1	North America (60 Hz): 1-Speed, 4.8 HP brake, 2.5 HP continuous, 56 Frame	
Export (50 Hz):	1-Speed, 2.0 HP continuous	
Pump 2	North America (60 Hz): 1-Speed, 4.8 HP brake, 2.5 HP continuous, 56 Frame	
Export (50 Hz):	1-Speed, 2.0 HP continuous	
Circulation Pump	Yes, 8-hour	
Heater	North America (60 Hz): 5.5kW High Flow	
Export (50 Hz)	2.7kW High Flow	
Total PowerPro® Jets	44	
Seat A Jets	2 PowerPro® NX2, 3 PowerPro® MX	
Seat B Jets	2 PowerPro® FX Large	
Seat C Jets	10 PowerPro® FX, 2 PowerPro® FX Rotational	
Seat C HYDROSOOTHE™ Jets	2 PowerPro® FX Directional with independent flow rate valve	
Seat D Jets	1 PowerPro® FX Large Rotational	
Seat E Jets	4 PowerPro® FX, 2 PowerPro® FX Large Rotational, 12 PowerPro® BX, 2 PowerPro® FX Rotational	
Footwell (F)	2 PowerPro® MX	
Massage Selectors	2	
Air Controls	3, On/Off rocker style	
Water Management System	Two 60 ft² filter cartridges; filter 1 on 8-hour circulation pump; filter 2 on jets pump 1; Factory installed CLEARARRAY Active Oxygen™ Clean Water System	
Export (50 Hz):	Factory installed CLEARARRAY Active Oxygen™ Clean Water System	
LED Lighting	One underwater light with 4 color modes, one colored waterfall light, cup holders, 2 HYDROSOOTHE pillow lights, and OPTIONAL exterior light	
ProFinish™ Cabinet Colors	Modern Hardwood, Brushed Gray, and Smoked Ebony	
Acrylic Colors	Platinum, Silver Pearl, Monaco, Midnight, Porcelain	
Headrests	3	
Waterfalls	One independent flow rate (on or off) adjustment; powered by the circulation pump	
Electrical Requirements:	North America (60 Hz): 240 VAC@40A, 50A, or 60A Export (50 Hz): 230-240 VAC@1x32A, 1x20A/1x16A, 3x16A, or suitably rated circuit breaker to comply with local electrical codes. Certain countries may require dual power inputs; two GFCI RCD Breakers are required for this configuration.	
Warranty*	North America (60 Hz): 10 Years Shell, 7 Years Shell Surface, 5 Years for Plumbing Component Leaks, 5 Years Equipment and Controls, 5 Years Cabinet, 2 Years Jets, 2 Years Lights, 1 Year Stereo; Export (50 Hz): 10 Years Shell, 7 Years Shell Surface, 5 Years Plumbing Component Leaks, 5 Years Equipment and Controls, 5 Years Cabinet, 2 Years Jets, 2 Years Lights, 2 Years Stereo	
Special Features (Optional)	SmartTub™ Module, Exterior Lights	
Audio System (Optional)	BLUEWAVE® Spa Stereo System (Bluetooth/Aux compatible) with four speakers and subwoofer	

*(See Warranty Document for Specific Details)

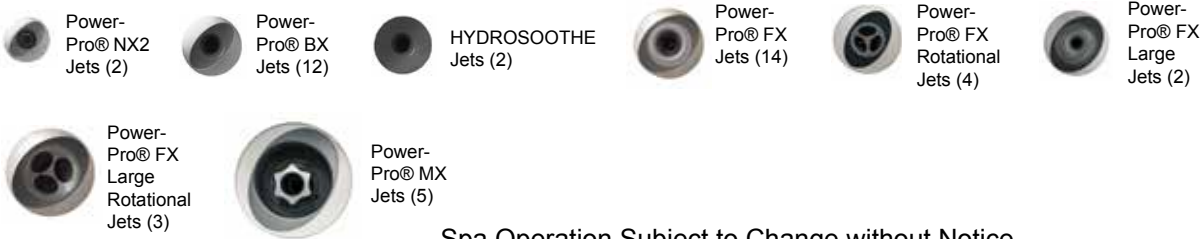
Dimensions/Specifications are Subject to Change Without Notice

Jacuzzi J-355

Operation/Seat Depths



44 Total Jets



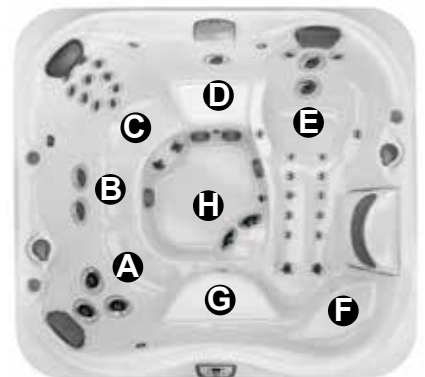
Spa Operation Subject to Change without Notice

Seat Depths

- A = 25.25" (64.14 cm)**
- B = 26.50" (67.31 cm)**
- C = 28.75" (73.02 cm)**
- D = 21.25" (53.98 cm)**
- E = 27.00" (68.58 cm)**

- F = 9.25" (23.50 cm)**
- G = 13.50" (34.29 cm)**
- H = 33.25" (84.45 cm)**

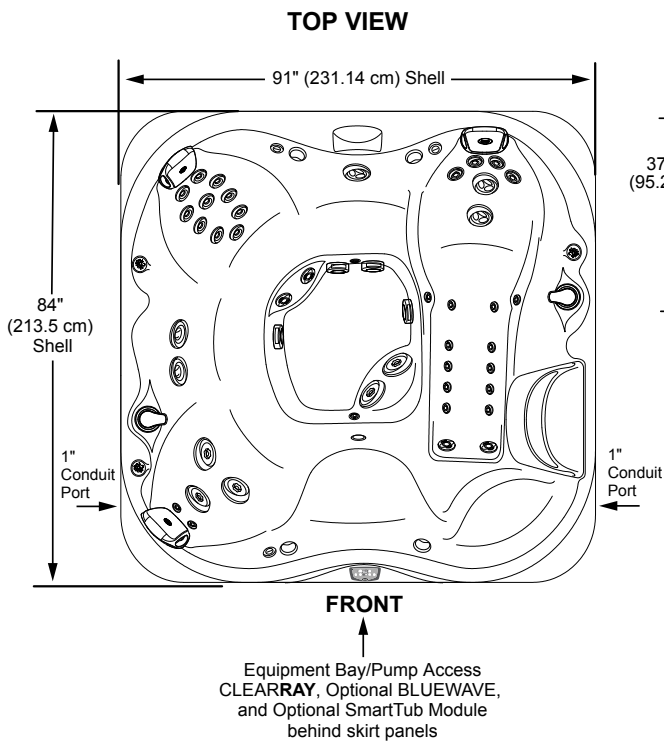
Listed dimensions represent distance from top of acrylic to lowest point in seat. Tolerance $\pm 0.5"$ (1.27 cm).



Dimensions/Specifications are Subject to Change Without Notice

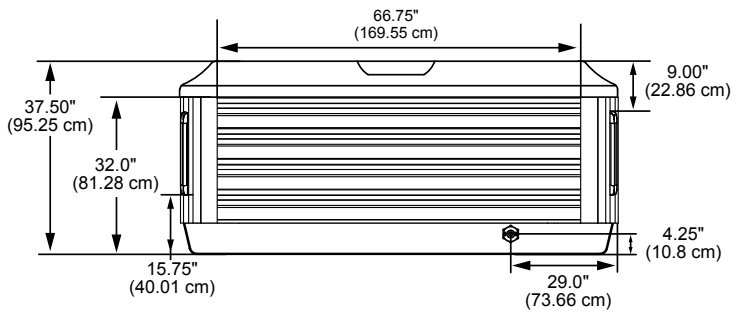
Jacuzzi J-355

Dimensions



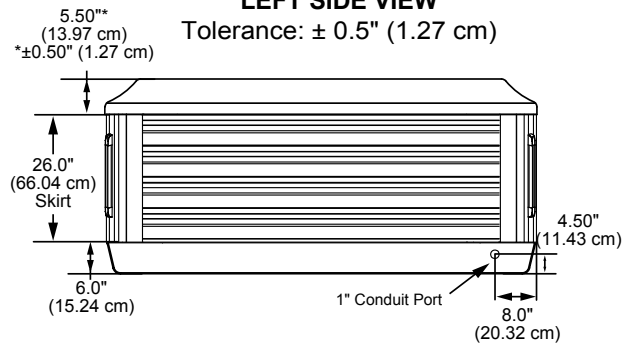
FRONT/BACK VIEW

Tolerance: $\pm 0.5"$ (1.27 cm)



LEFT SIDE VIEW

Tolerance: $\pm 0.5"$ (1.27 cm)

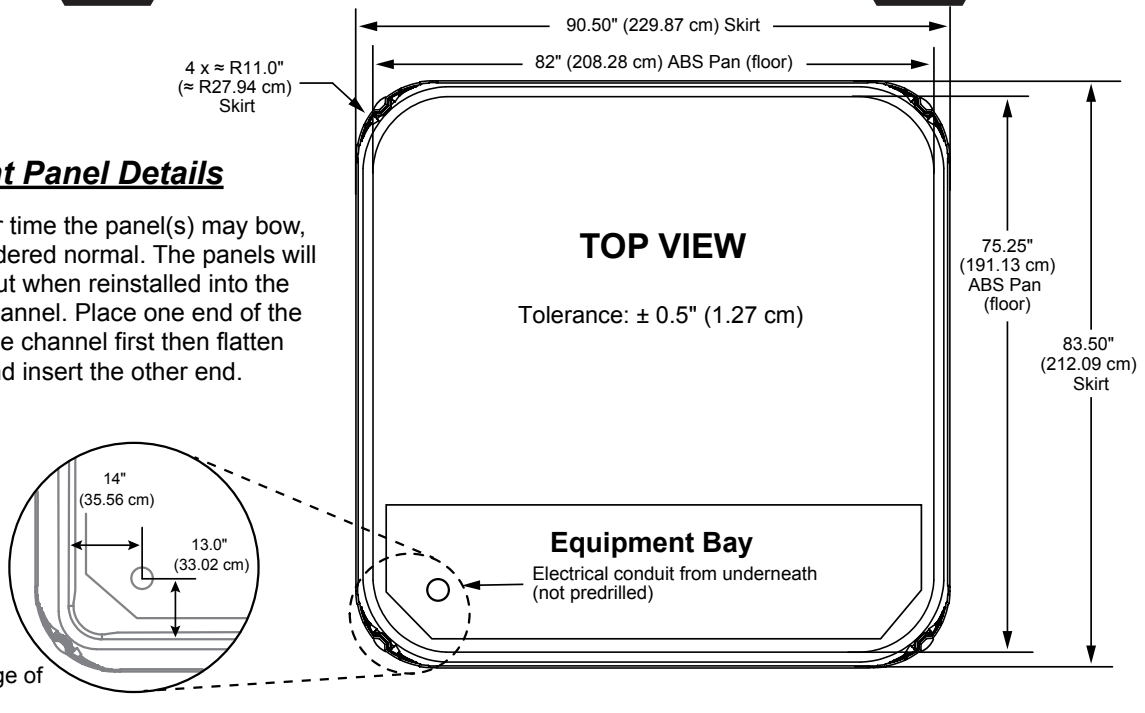


IMPORTANT! Always measure each hot tub for exact dimensions BEFORE designing its foundational support and/or decking.



Important Panel Details

NOTE: Over time the panel(s) may bow, this is considered normal. The panels will straighten out when reinstalled into the mounting channel. Place one end of the panel into the channel first then flatten the panel and insert the other end.



From the edge of the ABS pan

Dimensions/specifications subject to change without notice. Tolerance $\pm 0.5"$ (1.27 cm)